



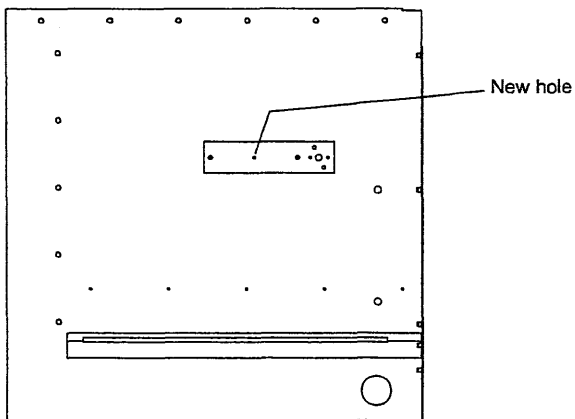
E&G1102/1112 Convection Ovens

Replacement Thermostat Instructions

Due to component improvement, the oven thermostat on the above units has been changed.

The new thermostat phial is shorter in length than the existing version and thus, will necessitate drilling a fixing hole in the RH inner side panel.

- a) Isolate from mains.
- b) Remove oven back baffle.
- c) Remove oven RH oven side panel.
- d) Remove thermostat phial and phial clips.
- e) Fix template to RH inner side panel and drill a $\text{Ø}3.3$ hole for self tapping screw. (Refer to Figure 1)



**Figure 1 - RH Inner Side Panel
(viewed from inside oven chamber)**

It will also be necessary to modify control panel to accept replacement thermostat. (Refer to Figure 2)

- a) Remove thermostat body.
- b) Position template over existing holes and drill 2 x $\text{Ø}4.8$ in control panel.
- c) Secure replacement thermostat body to control panel and fix phial to RH inner side panel.
- d) Replace RH inner side, oven back baffle and grid shelves.

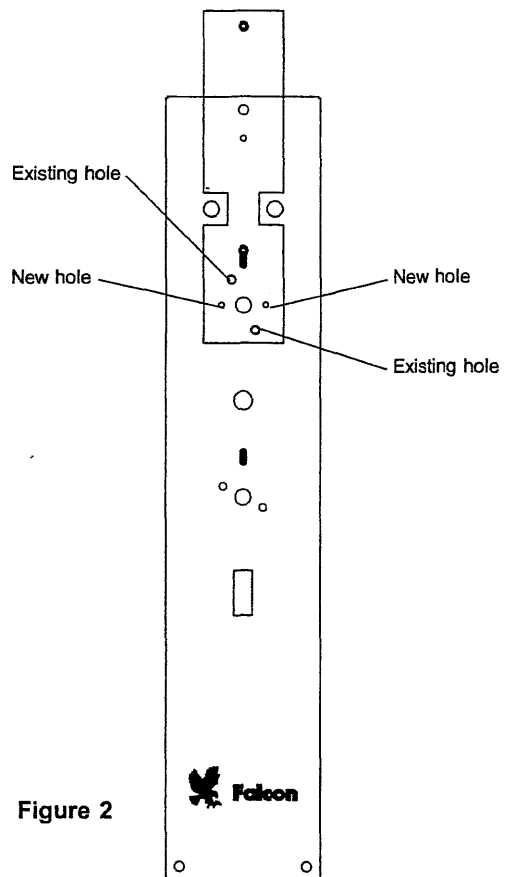


Figure 2